

# CARACTERES SUR LES MATERIAUX

CONTRÔLE

## 1. DONNER LA DEFINITION DES PROPRIETES MECANIQUES SUIVANTES :

3) Dureté:

.....  
.....

4) Flexion:

.....  
.....

5) Résilience:

.....  
.....

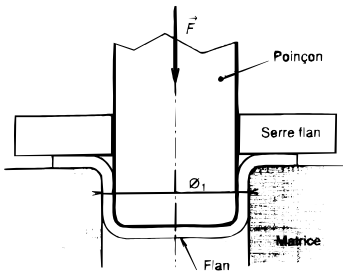
6) Traction:

.....  
.....

7) Cisaillement:

.....  
.....

## RECONNAITRE LES ESSAIS SUIVANTS:




---

---

---

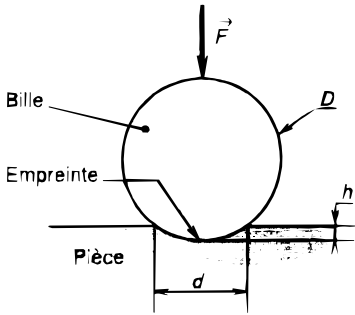
---

---

---

---

---




---

---

---

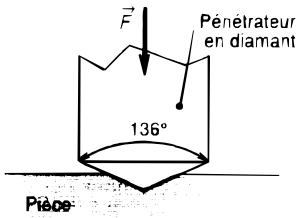
---

---

---

---

---




---

---

---

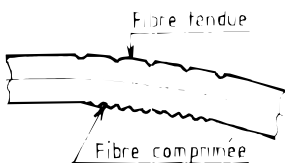
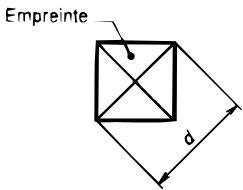
---

---

---

---

---




---

---

---

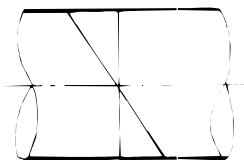
---

---

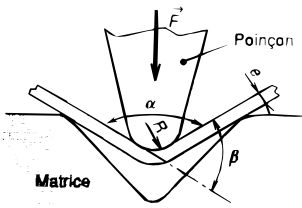
---

---

---



..



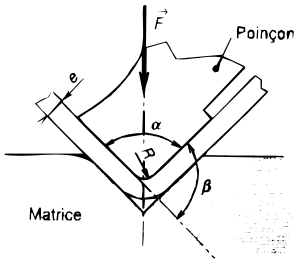
.....

.....

.....

.....

.....



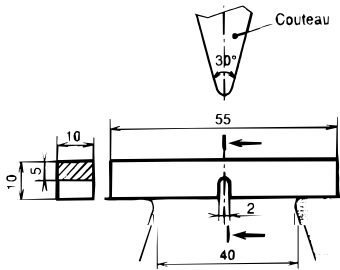
.....

.....

.....

.....

.....

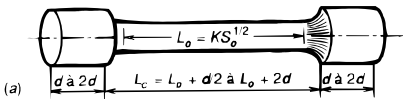


.....

.....

.....

.....



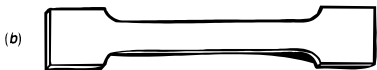
(a)

.....

.....

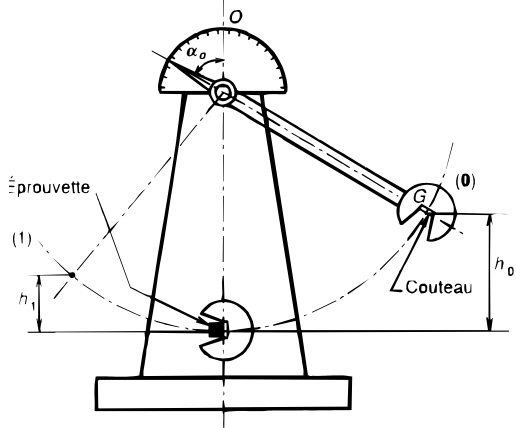
.....

.....



(b)

...




---

---

---

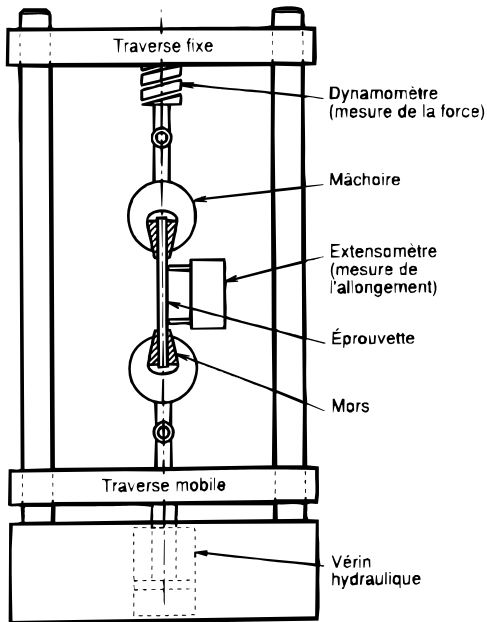
---

---

---

---

---




---

---

---

---

---

---

---

---